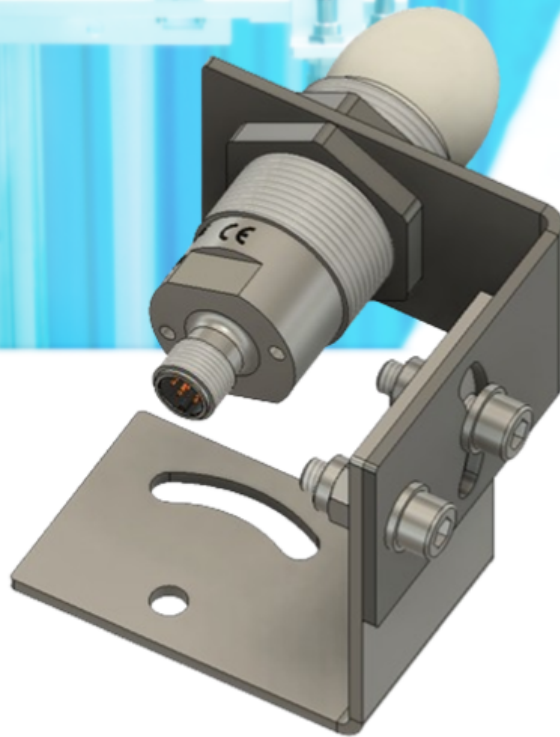


Product data sheet

OndoSense MountingBracket M30

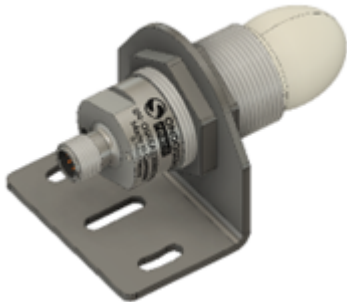
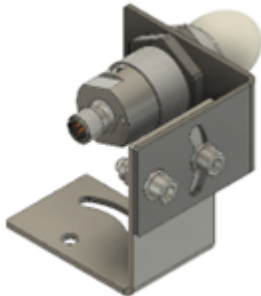
OndoSense SwivelBracket M30

Accessories for OndoSense *reach*



ONDOSENSE
reach

M30 - Mounting Brackets

Bracket	M30 MountingBracket	M30 SwivelBracket
		
Size (W x H x D)	60 mm x 55 mm x 42 mm	78 mm x 70 mm x 65 mm
Material	Galvanized steel	1.4301 (stainless steel)
Weight	81 g	120 g
Degrees of freedom	1	2
Horizontal range	$\pm 15^\circ$	$\pm 30^\circ$
Vertical range	-	$\pm 30^\circ$
Fastening	2 x M6	2 x M6
Part No.	MB.R100.1000	MB.R200.1000

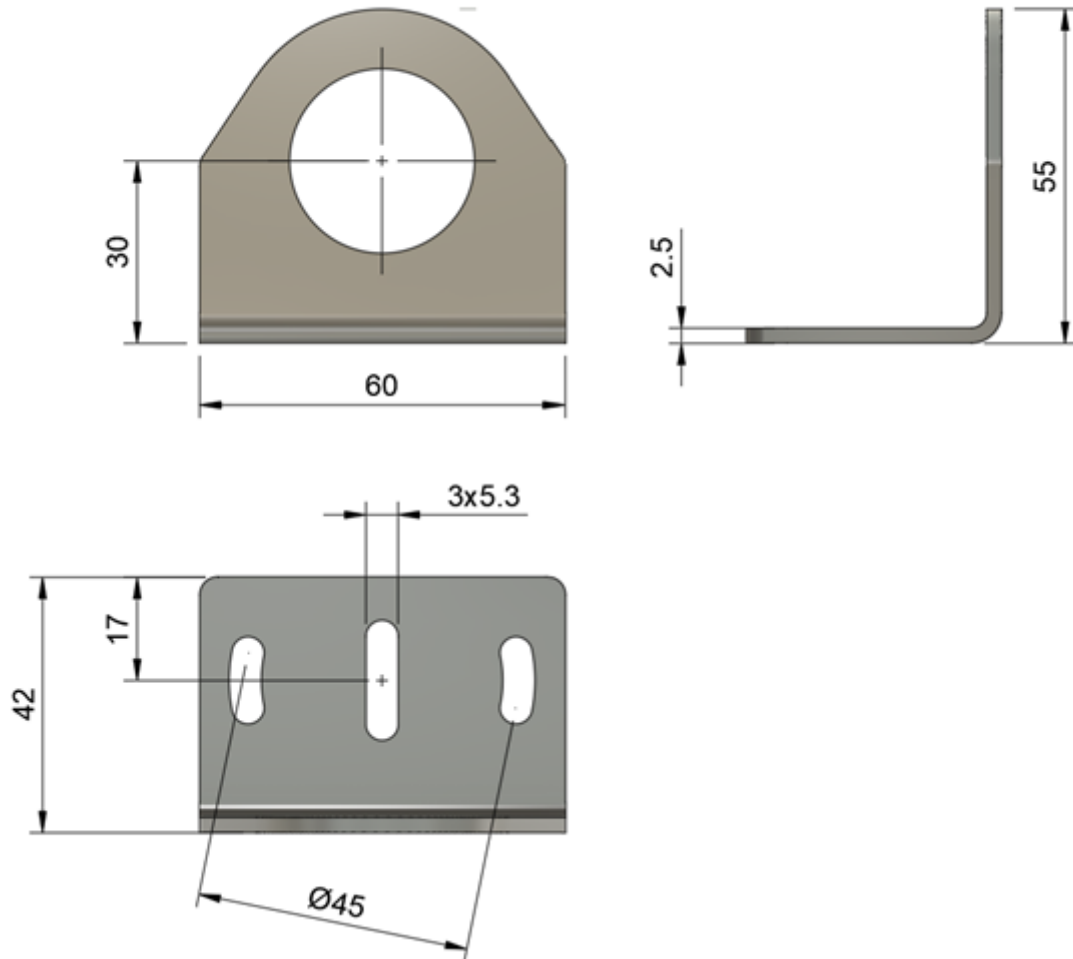
Notes on use

The OndoSense M30 mounting brackets are useful for simple mounting and correct alignment of the OndoSense reach sensors towards the target. Please note that the alignment according to the signal strength has a considerable influence on the accuracy and reliability of the measurement. Please refer to the reach manual for the alignment process.

For weak signal intensities from the target, we recommend our Corner Cube reflectors.

M30 - Mounting Bracket

Dimensions in mm



M30 - Swivel Bracket

Dimensions in mm

Product data sheet

OndoSense Mounting Brackets

