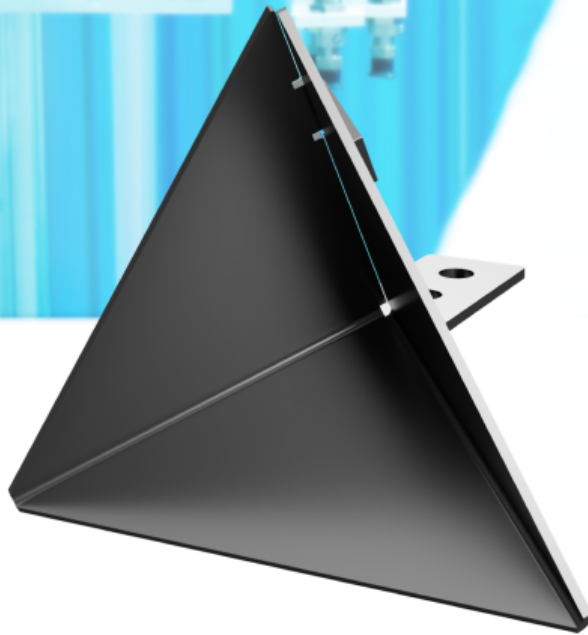


Product data sheet

OndoSense radar reflector

Accessories for OndoSense *apex & reach*



OndoSense RadarReflector Options

Size	CC-100	CC-250	CC-350
Side Length	100 mm	250 mm	350 mm
Radar Cross Section	17 m ²	677 m ²	2602 m ²
Object Detection Range	0.5 m - 20 m	10 m - 30 m	20 m - 70 m
Size	100 mm x 82 mm x 91 mm	250 mm x 171 mm x 221 mm	350 mm x 210 mm x 307 mm
Weight	125 g	775 g	1400 g
Material	1.4301 (stainless steel)	1.4301 (stainless steel)	1.4301 (stainless steel)
Fastening	2 x M6	2 x M8	2 x M8
Part No.	CC.0100.1000	CC.0250.1000	CC.0350.1000

Notes on Use

A radar reflector serves three purposes:

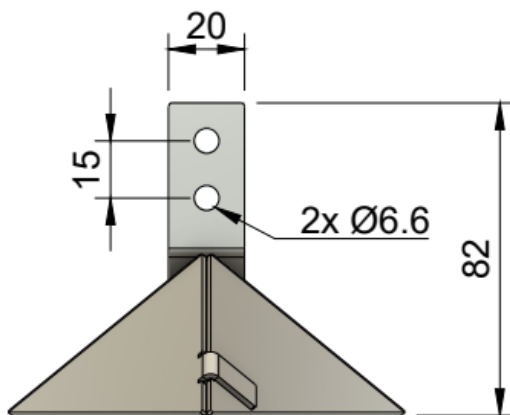
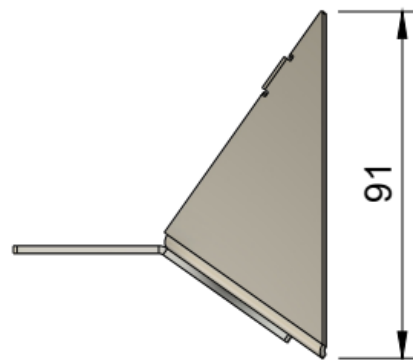
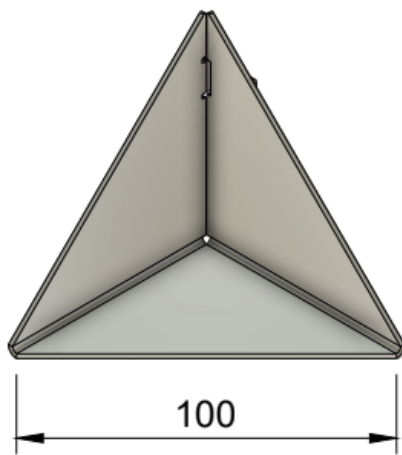
- Increase the signal strength received from a target.
- Increase the possible angle between sensor and target.
- Increase the precision of the measurement through an increase of the signal strength.

The reflector is not necessary for large targets, that are aligned perpendicular to the sensor. For example, a passenger car can be detected reliably up to a large distance without the need for a radar reflector if the side of the car is aligned perpendicular to the sensor.

Make sure that the reflector is safely fastened to the intended target. For strong vibrations or when mounted over-head, take extra precautions when mounting the reflectors. The use of a safety rope attached to the reflectors is necessary for strong vibrations.

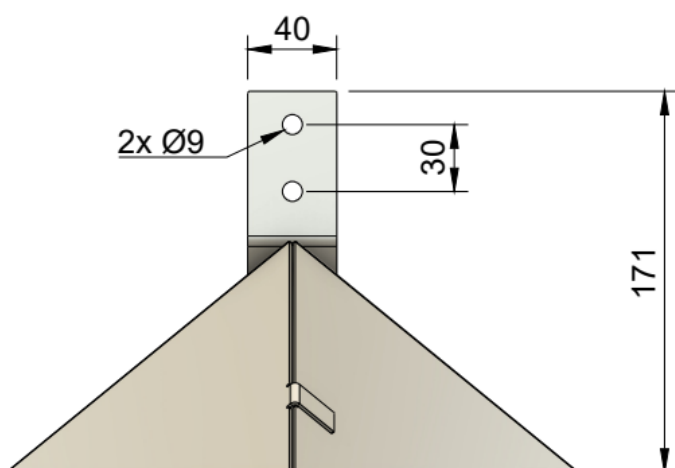
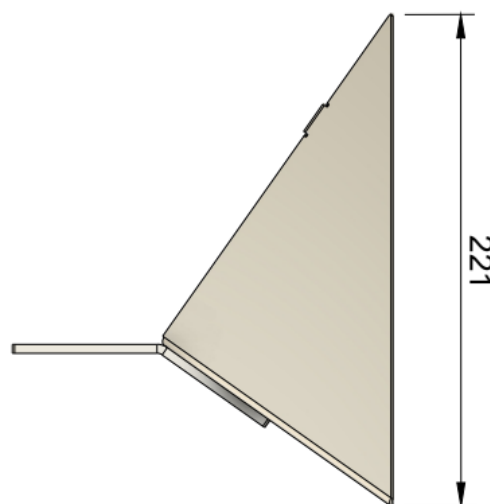
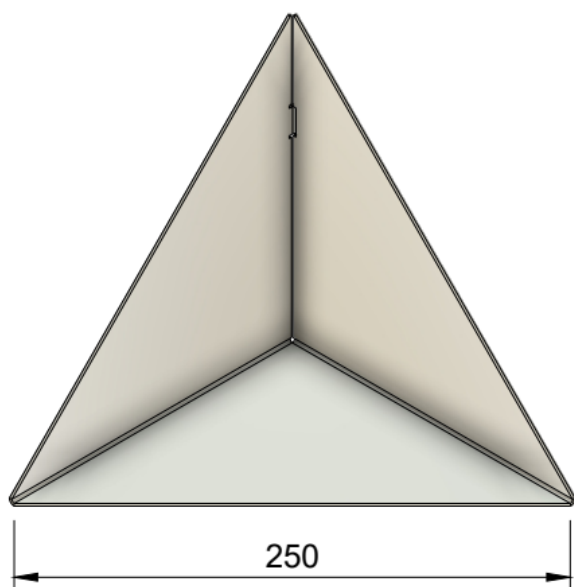
CC-100 Dimensional Drawings

Dimension in mm



CC-250 Dimensional Drawings

Dimension in mm



CC-350 Dimensional Drawings

Dimension in mm

Product data sheet

OndoSense CornerCube

