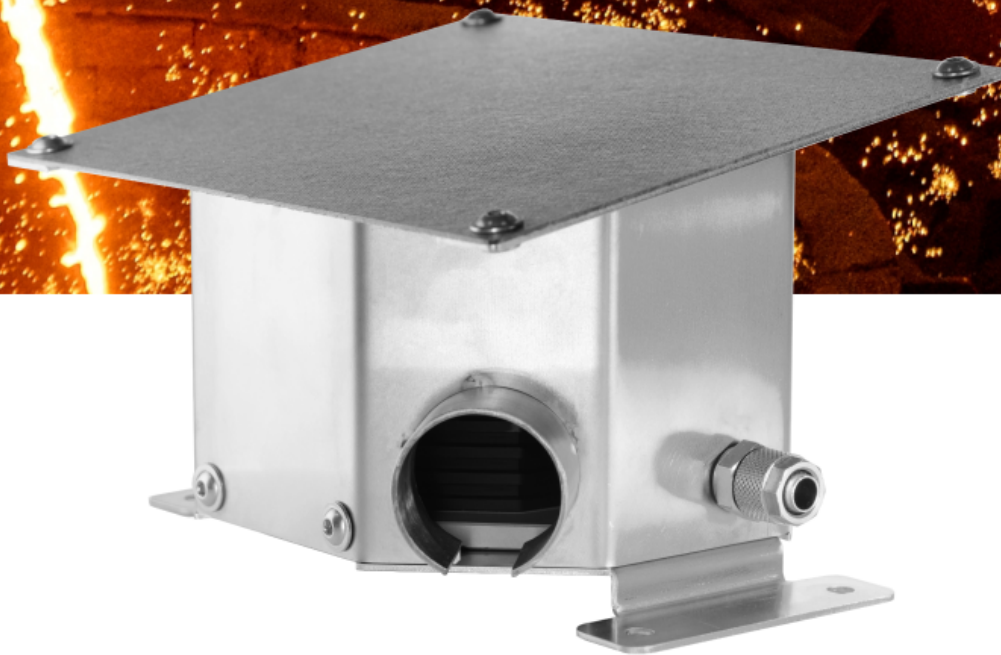


Product data sheet

OndoSense AirChill

Accessories for OndoSense *apex*



ONDOSENSE
apex

Mechanical Data

Mechanical data	
Dimensions (W x H x D)	190 mm x 120 mm x 148 mm
Weight	900 g
Housing material	1.4301
Compressed air connection	Ø10 mm Hose OD, Ø8 mm Hose ID
Cable cover connection	Flange with Ø38 mm OD
Fastening	4 x M8
Part No.	PS.2200.1000

Air cooling specifications	
Max. temperature of target	Up to 1600 °C
HeatWindow temperature	Up to 1000 °C
Environment temperature	-40 °C.. +120 °C
Max. air flow pressure	7 bar
Air quality	ISO 8573-1:2010 [7:7:4]
Compressed air temperature	40 °C

HeatWindow

Level	HeatWindow 1000
Radiant heat (Short-term)	1000 °C
Radiant heat (Long-term)	700 °C
Shield material	Mica
Part No. for Replacement Orders	HW.1000.1100

Functions and features

The AirChill Housing is a protective housing with an active cooling system for sensors of the Apex Profinet family. It enables sensor operation at high ambient temperatures.

Temperature range

The AirChill is intended for applications in which the sensor is exposed to strong irradiation heat, such as from molten or glowing metal up to surface temperatures of 1600 °C.

The HeatWindow can withstand short-term temperatures up to 1000 °C.

The environment temperature at the location of the heat shield can be up to 120 °C.

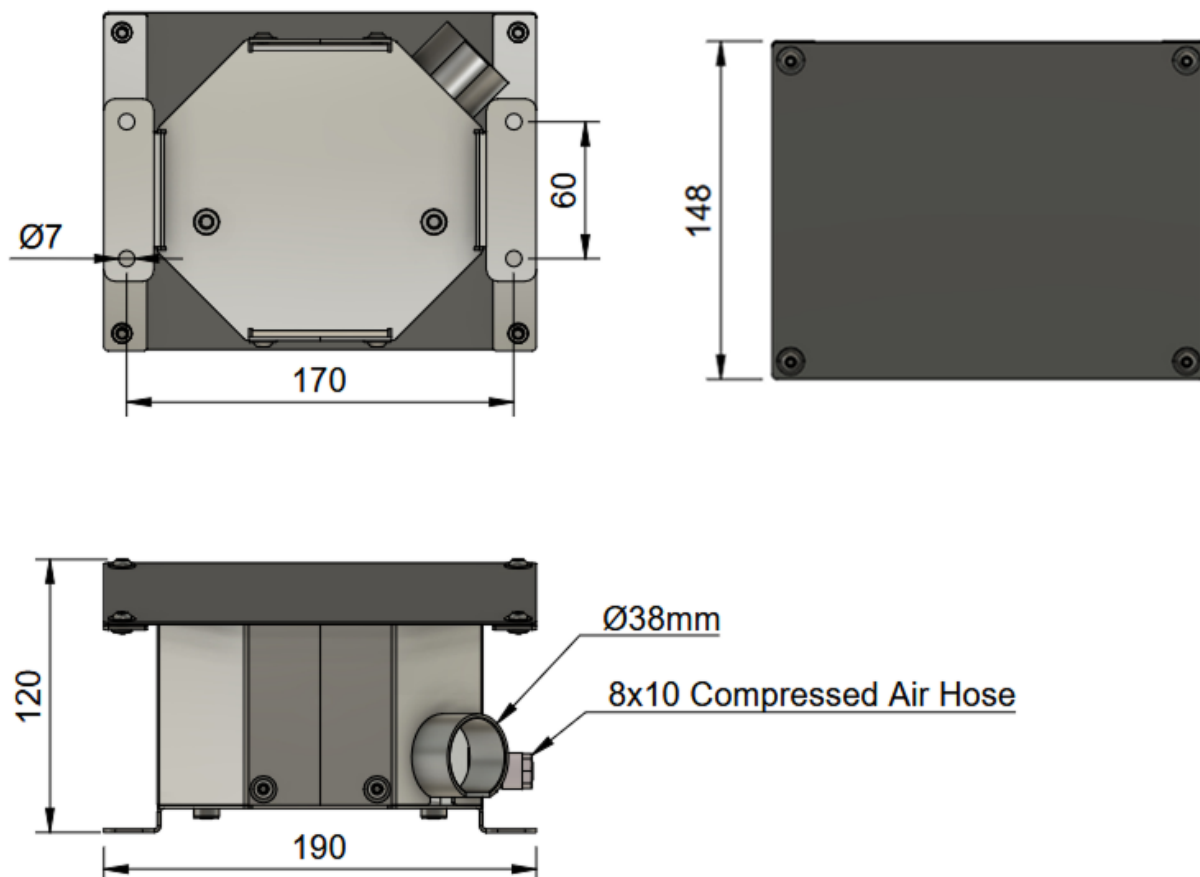
Maintenance

Clean the lens of the sensor as well as the HeatWindow in regular intervals in case of strong accumulation of dirt on the sensor lens.


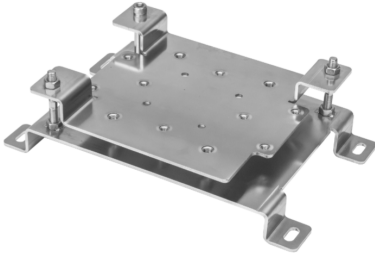
The HeatWindow is a replaceable part that can be ordered from OndoSense.

Dimensional Drawings

Dimensions in mm



Compatible Products

Compatible products	OndoSense apex	OndoSense AngleControl (for OndoSense apex)
		
Part No.	-	MB.S200.1000